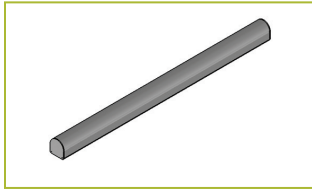
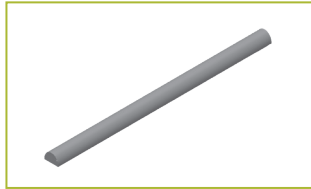
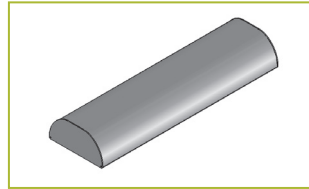


☛ QUICK REFERENCE GUIDE

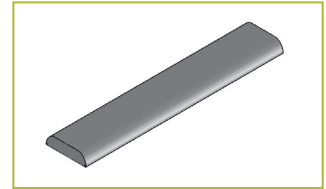
Light - 2580



Warmer - 790



Light/Warmer - 705

Double Light/
Warmer - 500

GENERAL INFORMATION

Project Name: _____

DESCRIPTION

The Slimline light by BSI features a durable, lightweight external aluminum housing that wraps the interchangeable, internal LED light modules for a sleek appearance without sacrificing light output.

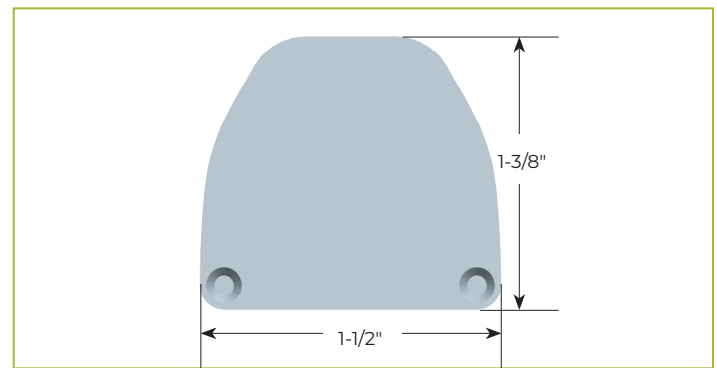
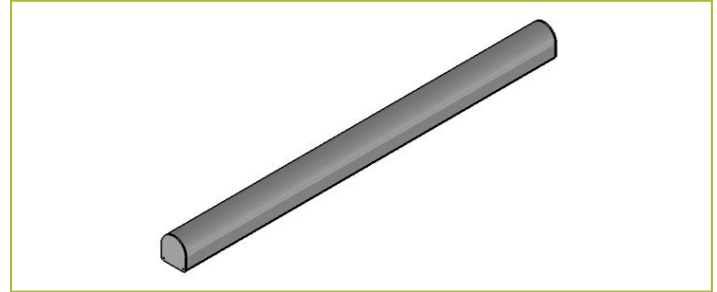
The LED light contains a multi voltage internal driver that is direct wired to operate between 110-250v. The light is factory assembled ready for electrical installation with a remote toggle on/off switch standard.

The fluorescent light option is factory assembled and includes a remote on/off switch and ballast in an enclosure.

GENERAL SPECIFICATION

INFORMATION FOR LED BULB	
Temperature	3000K
Average Rated Life (hr):	50,000
Color Rendering Index (CRI)	90
Diodes	50 per foot
Electrical	110-250V
Frequency	50/60Hz
Amp Per Foot @ 100V	0.04
Watts Per Foot	5

2580 LED/Fluorescent Slimline Light



BALLAST INFORMATION - LED						
HOUSING LENGTH	MODULE LENGTH	FREQUENCY	AMPS @ 120V	AMPS @ 208V	AMPS @240V	WATTS
15"-20"	12"	50/60 Hz	0.042	0.024	0.021	5W
21"-26"	18"	50/60 Hz	0.058	0.034	0.029	7W
27"-32"	12" & 12"	50/60 Hz	0.083	0.048	0.042	10W
33"-38"	12" & 18"	50/60 Hz	0.1	0.058	0.05	12W
39"-44"	36"	50/60 Hz	0.125	0.072	0.063	15W
45"-50"	12" & 18"	50/60 Hz	0.142	0.082	0.071	17W
51"-56"	48"	50/60 Hz	0.167	0.096	0.083	20W

BALLAST INFORMATION - FLUORESCENT	
Operating Voltage:	120 VAC
Frequency:	50/60Hz
ATHD:	Meets ANSI C82.11-1993
Protection/Output:	Open Lamp Shortened Lamp
Protection/Overcurrent:	Fuse
Protection/Voltage Transients:	MOV (PER ANSI C82.11-1993)
Open Circuit Voltage:	600 V RMS Max
Lamp Starting Mode:	Instant Start

BALLAST INFORMATION - 4100K FLUORESCENT LAMPS	
Average Rated Life (hr):	20,000
Base:	Miniature Bi-Pin
Bulb:	T5
Color Rendering Index (CRI)	82
Diameter (in):	0.67
Lamp Starting Mode:	Program Start
Bulb Type:	Shatter Resistant

SLIMLINE LIGHT BULB OPTIONS

LED Module	Fluorescent Bulb
------------	------------------

* Approval Drawings Required

Specifications subject to change without notice.



OPTIONS AND ACCESSORIES

Light housing is an aluminum extrusion finished to match your food shield. NSF-approved powder-coat colors are also available as satin or polished finishes. Please contact BSI for more information.

LED light has a multi voltage drive that will operate between 110-250 v.

STANDARD NSF - LISTED FINISH OPTIONS

- Brushed Aluminum
- Polished Brass Finish
- Gloss Black
- Wrinkle Black
- Smoked Copper

SWITCH OPTIONS

- Remote Toggle Switch
- Internal Toggle Switch (standard)

WIRING EXIT POINT OPTIONS

- Top
- Left Side
- Right Side

LED Module



2580

LED/Fluorescent Slimline Light

LED Bulb

HOUSING LENGTH	MODULE LENGTH	FREQUENCY	AMPS @120V	AMPS @208V	AMPS @240V	WATTAGE
15" to 20"	12"	50/60Hz	.042A	.024A	.021A	5W
21" to 26"	18"	50/60Hz	.058A	.034A	.029A	7W
27" to 32"	12" & 12"	50/60Hz	.083A	.048A	.042A	10W
33" to 38"	12" & 18"	50/60Hz	.1A	.058A	.05A	12W
49" to 44"	36"	50/60Hz	.125A	.072A	.063A	15W
45" to 50"	12" & 12" & 18"	50/60Hz	.142A	.082A	.071A	17W
51" to 56"	48"	50/60Hz	.167A	.096A	.083A	20W

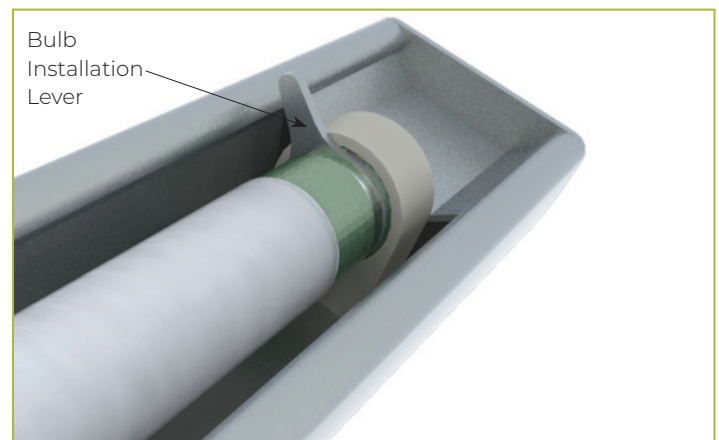
Larger Sizes: BSI will configure bulb combinations to best fit housing. LED lights produce 400 Lumens per foot.

Fluorescent Bulb

HOUSING LENGTH	BULB LENGTH	FREQUENCY	AMPS @110V	WATTAGE
28" to 39"	24"*	50/60Hz	.26A	31W
40" to 51"	36"*	50/60Hz	.26A	31W
52" to 63"	48"*	50/60Hz	.26A	31W
64" to 75"	60"*	50/60Hz	.36A	43W
76" to 99"	Two 3-foot bulbs wired in tandem	50/60Hz	.36A	43W Total
100" to 119"	Two 4-foot bulbs wired in tandem	50/60Hz	.65A	78W Total
120" to 144"	Two 5-foot bulbs wired in tandem	50/60Hz	.65A	78W Total

* Rounded up to the nearest foot.

Fluorescent Bulb



GENERAL INFORMATION

Project Name: _____

DESCRIPTION

Stealth® warmers are created with a high-efficiency design, meaning less heat escapes out the top and more heat is directed down on the work surface. The internally integrated aluminum heat sink results in a 15-20% cooler outer housing surface (touch temperature) than the competition, as well as 20% higher direct heat output than the industry standard.

The clean, slim profile and simple mounting hardware allow your food to be the focus and subtly integrate into your overall design.

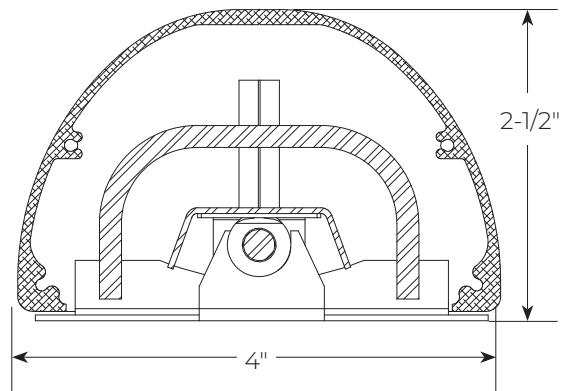
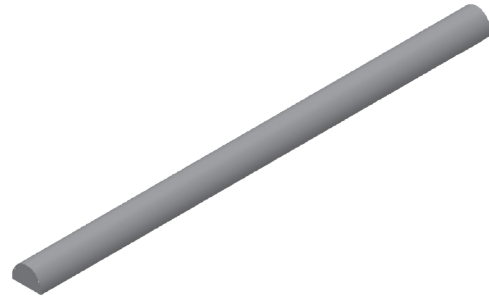
Engineered for ease of use, Stealth's smooth outer housing is both attractive and easy to clean. Simply wipe down the surface to maintain the reflector efficiency — no dirty wire grill to clean around or collect debris.

Custom lengths available from 22" to 82" in single heater units and unlimited lengths in multiple heater combinations.

UL tested and certified to UL Standard. 197.

790

Stealth® Warmer



* Approval Drawings Required

Specifications subject to change without notice.



06.22

SWITCH OPTIONS

- Remote Infinite (standard) Remote Switch
- Indicator Light Internal Control

WIRING EXIT POINT OPTIONS

- Top Left Side
- Right Side

STANDARD NSF - LISTED FINISH OPTIONS

- Grey (standard) Gloss Black
- Brushed Aluminum Gloss Black
- Smoked Copper Polished Brass Finish
- Wrinkle Black

Other NSF-approved colors are available. Contact BSI for details.

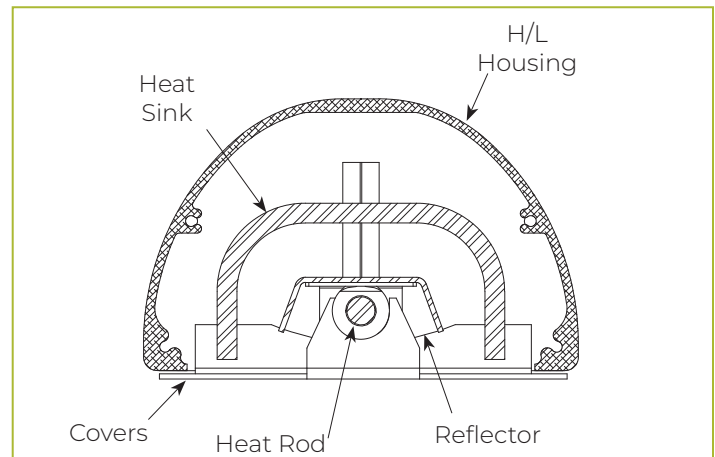
Light/Warmer housing is an aluminum extrusion. The housing for warmers is only available in grey or gloss black. Please contact BSI for further information.

MODEL NUMBER	OA HOUSING	VOLTS	FREQ.	AMPS @110V	WATTS
790-120-18	22"-27"	120	50/60Hz	2.9	350
790-120-24	28"-33"	120	50/60Hz	4.2	500
790-120-30	34"-39"	120	50/60Hz	5.5	660
790-120-36	40"-45"	120	50/60Hz	6.7	800
790-120-42	46"-51"	120	50/60Hz	7.9	950
790-120-48	52"-57"	120	50/60Hz	9.2	1100
790-120-54	58"-63"	120	50/60Hz	10.4	1250
790-120-60	64"-69"	120	50/60Hz	11.7	1400
790-120-66	70"-75"	120	50/60Hz	13.0	1560
790-120-72	76"-81"	NOT AVAILABLE IN 120 VOLTS			

Wiring diagrams for Stealth® warmers can be found at the end of the Lights and Warmers section.

790

Stealth® Warmer



MODEL NUMBER	OA HOUSING	VOLTS	FREQ.	AMPS @110V	WATTS
790-208-18	22"-27"	NOT AVAILABLE IN 208 VOLTS			
790-208-24	28"-33"	208	50/60Hz	2.4	500
790-208-30	34"-39"	208	50/60Hz	3.2	660
790-208-36	40"-45"	208	50/60Hz	3.9	800
790-208-42	46"-51"	208	50/60Hz	4.6	950
790-208-48	52"-57"	208	50/60Hz	5.3	1100
790-208-54	58"-63"	208	50/60Hz	6.0	1250
790-208-60	64"-79"	208	50/60Hz	6.7	1400
790-208-66	70"-75"	208	50/60Hz	7.5	1560
790-208-72	76"-81"	208	50/60Hz	8.3	1725

MODEL NUMBER	OA HOUSING	VOLTS	FREQ.	AMPS @110V	WATTS
790-240-18	22"-27"	NOT AVAILABLE IN 240 VOLTS			
790-240-24	28"-33"	240	50/60Hz	2.1	500
790-240-30	34"-39"	240	50/60Hz	2.8	660
790-240-36	40"-45"	240	50/60Hz	3.3	800
790-240-42	46"-51"	240	50/60Hz	3.9	950
790-240-48	52"-57"	240	50/60Hz	4.6	1100
790-240-54	58"-63"	240	50/60Hz	5.2	1250
790-240-60	64"-69"	240	50/60Hz	5.8	1400
790-240-66	70"-75"	240	50/60Hz	6.5	1560
790-240-72	76"-81"	240	50/60Hz	7.2	1725

GENERAL INFORMATION

Project Name: _____

DESCRIPTION

Stealth® warmers are created with a high-efficiency design, meaning less heat escapes out the top and more heat is directed down on the work surface. The internally integrated aluminum heat sink results in a 15-20% cooler outer housing surface (touch temperature) than the competition, as well as 20% higher direct heat output than the industry standard.

The clean, slim profile and simple mounting hardware allow your food to be the focus and subtly integrate into your overall design.

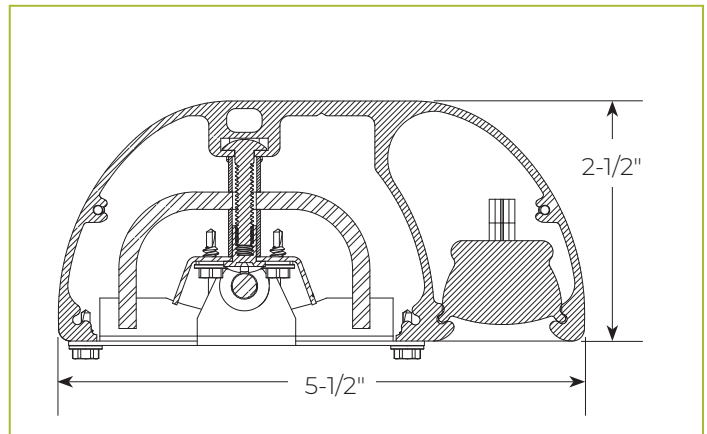
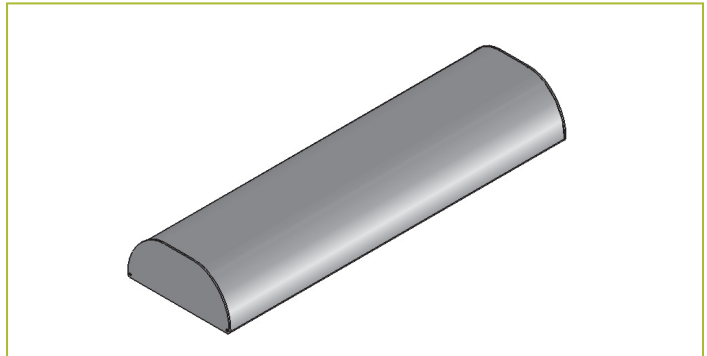
Engineered for ease of use, Stealth's smooth outer housing is both attractive and easy to clean. Simply wipe down the surface to maintain the reflector efficiency — no dirty wire grill to clean around or collect debris.

Custom lengths available from 22" to 82" in single heater units and unlimited lengths in multiple heater combinations.

UL tested and certified to UL Standard. 197.

705

Stealth® Light & Warmer Combo



Information for 4100K Fluorescent Lamps

Average Rated Life (hr):	20,000
Base:	Miniature Bi-Pin
Bulb:	T5
Color Rendering Index (CRI)	82
Diameter (in):	0.67
Bulb Type:	Shatter Resistant

Information for LED Bulb

Temperature	3000K
Average Rated Life (hr):	50,000
Color Rendering Index (CRI)	90
Diodes	50 per foot
Electrical	110-250V
Frequency	50/60Hz
Amp Per Foot @ 110V	0.04
Watts Per Foot	5

* Approval Drawings Required

Specifications subject to change without notice.



06.22

SWITCH OPTIONS

- Remote Infinite (standard) Remote Switch
- Indicator Light Internal Control

WIRING EXIT POINT OPTIONS

- Top Left Side
- Right Side

STANDARD NSF LISTED FINISH OPTIONS

- Grey (standard) Gloss Black
- Brushed Aluminum Gloss Black
- Smoked Copper Polished Brass Finish
- Wrinkle Black

Other NSF-approved colors are available. Contact BSI for details.

Light/Warmer housing is an aluminum extrusion. The housing for warmers is only available in grey or gloss black. Please contact factory for further information.

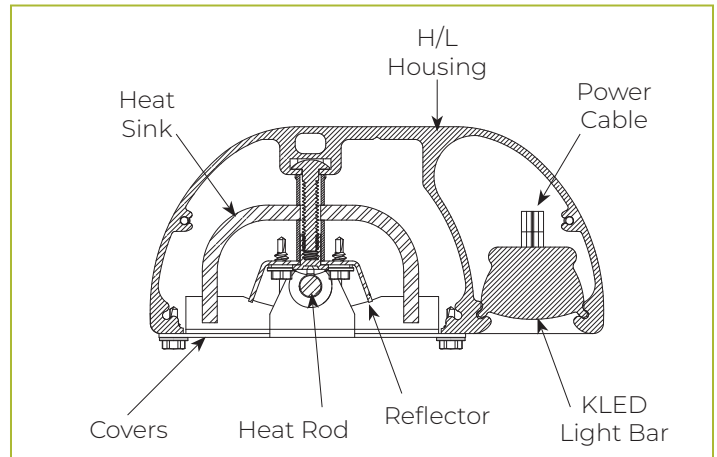
MODEL NUMBER	OA HOUSING	VOLTS (Light)*	FREQ.	AMPS	WATTS
705-120-18	22"-27"	120 (120)	50/60Hz	2.96	357
705-120-24	28"-33"	120 (120)	50/60Hz	4.28	510
705-120-30	34"-39"	120 (120)	50/60Hz	5.60	672
705-120-36	40"-45"	120 (120)	50/60Hz	6.83	815
705-120-42	46"-51"	120 (120)	50/60Hz	8.04	967
705-120-48	52"-57"	120 (120)	50/60Hz	9.37	1120
705-120-54	58"-63"	120 (120)	50/60Hz	10.58	1272
705-120-60	64"-69"	120 (120)	50/60Hz	11.91	1425
705-120-66	70"-75"	120 (120)	50/60Hz	13.2	1587
705-120-72	76"-81"	NOT AVAILABLE IN 120 VOLTS			

TABLES SHOWN WITH STANDARD LED LIGHT POWER REQUIREMENTS. CONTACT BSI FOR FLUORESCENT POWER REQUIREMENTS.

Wiring diagrams for Stealth® light & warmer combos can be found at the end of the Lights and Warmers section.

705

Stealth® Light & Warmer Combo



MODEL NUMBER	OA HOUSING	VOLTS (Light)*	FREQ.	AMPS	WATTS
705-208-18	22"-27"	NOT AVAILABLE IN 208 VOLTS			
705-208-24	28"-33"	208 (120)	50/60Hz	2.45	510
705-208-30	34"-39"	208 (120)	50/60Hz	3.26	672
705-208-36	40"-45"	208 (120)	50/60Hz	3.97	815
705-208-42	46"-51"	208 (120)	50/60Hz	4.68	967
705-208-48	52"-57"	208 (120)	50/60Hz	5.40	1120
705-208-54	58"-63"	208 (120)	50/60Hz	6.11	1272
705-208-60	64"-69"	208 (120)	50/60Hz	6.82	1425
705-208-66	70"-75"	208 (120)	50/60Hz	7.63	1587
705-208-72	76"-81"	208 (120)	50/60Hz	8.44	1755

MODEL NUMBER	OA HOUSING	VOLTS (Light)*	FREQ.	AMPS	WATTS
705-240-18	22"-27"	NOT AVAILABLE IN 240 VOLTS			
705-240-24	28"-33"	240 (120)	50/60Hz	2.14	510
705-240-30	34"-39"	240 (120)	50/60Hz	2.85	672
705-240-36	40"-45"	240 (120)	50/60Hz	3.36	815
705-240-42	46"-51"	240 (120)	50/60Hz	3.97	967
705-240-48	52"-57"	240 (120)	50/60Hz	4.68	1120
705-240-54	58"-63"	240 (120)	50/60Hz	5.29	1272
705-240-60	64"-69"	240 (120)	50/60Hz	5.90	1425
705-240-66	70"-75"	240 (120)	50/60Hz	6.61	1587
705-240-72	76"-81"	240 (120)	50/60Hz	7.33	1755

* Volts shown as element voltage (light voltage)

GENERAL INFORMATION

Project Name: _____

DESCRIPTION

The Stealth® double Slimline housing accommodates two heaters and an LED or fluorescent light in a single unit.

Available in custom lengths, the heat & light unit can be placed anywhere in the housing. This allows you to heat specific wells, pans, or areas of a counter.

Stealth® warmers are created with a high-efficiency design, meaning less heat escapes out the top and more heat is directed down on the work surface. The insulating blankets in a 15-20% cooler outer housing surface (touch temperature) than the competition, as well as 20% higher direct heat output than the industry standard.

The clean, slim profile and simple mounting hardware allow your food to be the focus and subtly integrate into your overall design.

Engineered for ease of use, Stealth's smooth outer housing is both attractive and easy to clean. Simply wipe down the surface to maintain the reflector efficiency — no dirty wire grill to clean around or collect debris.

Custom lengths available from 22" to 82" in single heater units and unlimited lengths in multiple heater combinations.

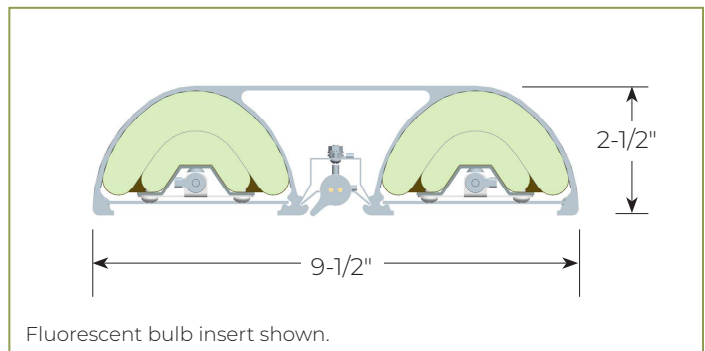
UL tested and certified to UL Standard. 197.

Information for 4100K Fluorescent Lamps

Average Rated Life (hr):	20,000
Base:	Miniature Bi-Pin
Bulb:	T5
Color Rendering Index (CRI)	82
Diameter (in):	0.67
Bulb Type:	Shatter Resistant

500

Stealth® Double Warmer & Light Combo



Information for LED Bulb

Temperature	3000K
Average Rated Life (hr):	50,000
Color Rendering Index (CRI)	90
Diodes	50 per foot
Electrical	110-250V
Frequency	50/60Hz
Amp Per Foot @ 110V	0.04
Watts Per Foot	5

* Approval Drawings Required

Specifications subject to change without notice.



02.23

SWITCH OPTIONS

- Remote Infinite* (standard) Remote Switch
- Indicator Light Internal Control

*Double unit requires two infinite controls, one per heat rod.

WIRING EXIT POINT OPTIONS

- Top Left Side
- Right Side

STANDARD NSF LISTED FINISH OPTIONS

- Grey (standard) Gloss Black
- Brushed Aluminum Gloss Black
- Smoked Copper Polished Brass Finish
- Wrinkle Black

Other NSF-approved colors are available. Contact BSI for details.

Double Warmer and Light housing is an aluminum extrusion. The housing for warmers is only available in grey or gloss black. Please contact factory for further information.

SLIMLINE LIGHT BULB OPTIONS

- LED Module Fluorescent Bulb

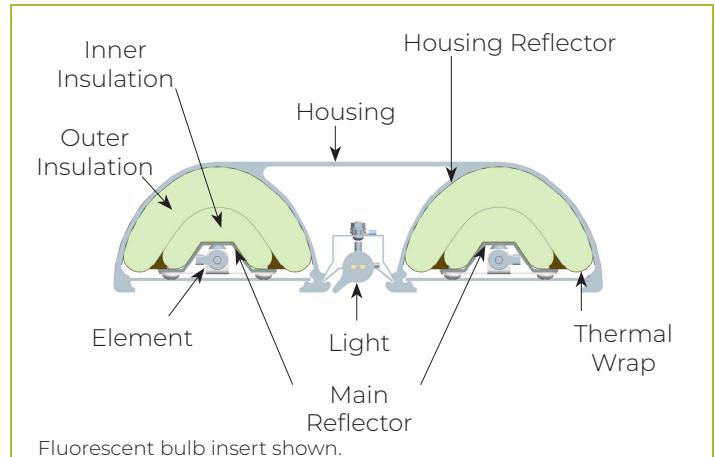
MODEL NUMBER	OA HOUSING	VOLTS (Light)*	FREQ.	AMPS CIRCUIT #1	AMPS CIRCUIT #2	TOTAL WATTS
500-120-18	22"-27"	120 (120)	50/60Hz	5.86	N/A	707
500-120-24	28"-33"	120 (120)	50/60Hz	8.48	N/A	1010
500-120-30	34"-39"	120 (120)	50/60Hz	11.10	N/A	1332
500-120-36	40"-45"	120 (120)	50/60Hz	6.83	6.70	1615
500-120-42	46"-51"	120 (120)	50/60Hz	8.04	7.90	1917
500-120-48	52"-57"	120 (120)	50/60Hz	9.37	9.20	2220
500-120-54	58"-63"	120 (120)	50/60Hz	10.58	10.40	2522
500-120-60	64"-69"	120 (120)	50/60Hz	11.91	11.70	2825
500-120-66	70"-75"	120 (120)	50/60Hz	13.2	13.00	3147
500-120-72	76"-81"	NOT AVAILABLE IN 120 VOLTS				

LED Module produces lower watts and amps. Contact BSI for details.

Wiring diagrams for Stealth® light and warmer combos can be found at the end of the Lights and Warmers section.

500

Stealth® Double Warmer and Light Combo



MODEL NUMBER	OA HOUSING	VOLTS (Light)*	FREQ.	AMPS CIRCUIT #1	AMPS CIRCUIT #2	TOTAL WATTS
500-208-18	22"-27"	NOT AVAILABLE IN 208 VOLTS				
500-208-24	28"-33"	208 (120)	50/60Hz	4.85	N/A	1010
500-208-30	34"-39"	208 (120)	50/60Hz	6.46	N/A	1332
500-208-36	40"-45"	208 (120)	50/60Hz	7.87	N/A	1615
500-208-42	46"-51"	208 (120)	50/60Hz	9.28	N/A	1917
500-208-48	52"-57"	208 (120)	50/60Hz	10.70	N/A	2220
500-208-54	58"-63"	208 (120)	50/60Hz	10.11	N/A	2522
500-208-60	64"-69"	208 (120)	50/60Hz	13.52	N/A	2825
500-208-66	70"-75"	208 (120)	50/60Hz	7.63	7.5	3147
500-208-72	76"-81"	208 (120)	50/60Hz	8.44	8.3	3480

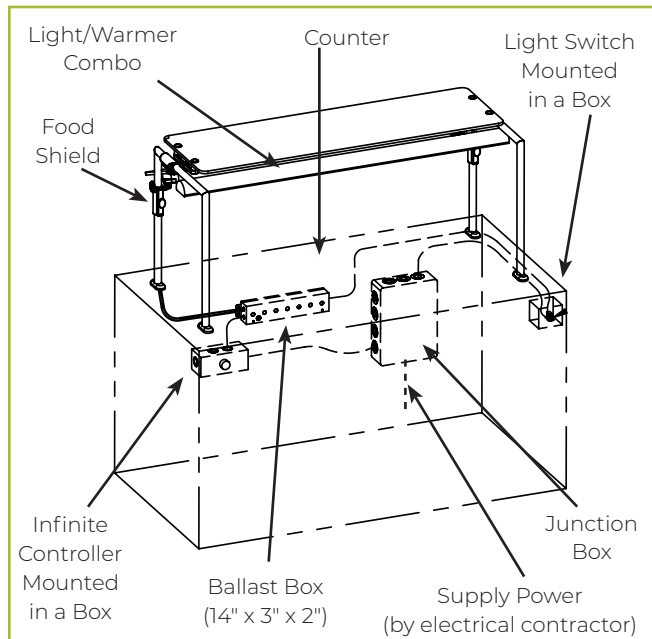
MODEL NUMBER	OA HOUSING	VOLTS (Light)*	FREQ.	AMPS	TOTAL WATTS
500-240-18	22"-27"	NOT AVAILABLE IN 240 VOLTS			
500-240-24	28"-33"	240 (120)	50/60Hz	4.25	1010
500-240-30	34"-39"	240 (120)	50/60Hz	5.65	1332
500-240-36	40"-45"	240 (120)	50/60Hz	6.66	1615
500-240-42	46"-51"	240 (120)	50/60Hz	7.87	1917
500-240-48	52"-57"	240 (120)	50/60Hz	9.28	2220
500-240-54	58"-63"	240 (120)	50/60Hz	10.49	2522
500-240-60	64"-69"	240 (120)	50/60Hz	11.70	2825
500-240-66	70"-75"	240 (120)	50/60Hz	13.11	3147
500-240-72	76"-81"	240 (120)	50/60Hz	14.53	3480

*Volts shown as element voltage (light voltage)

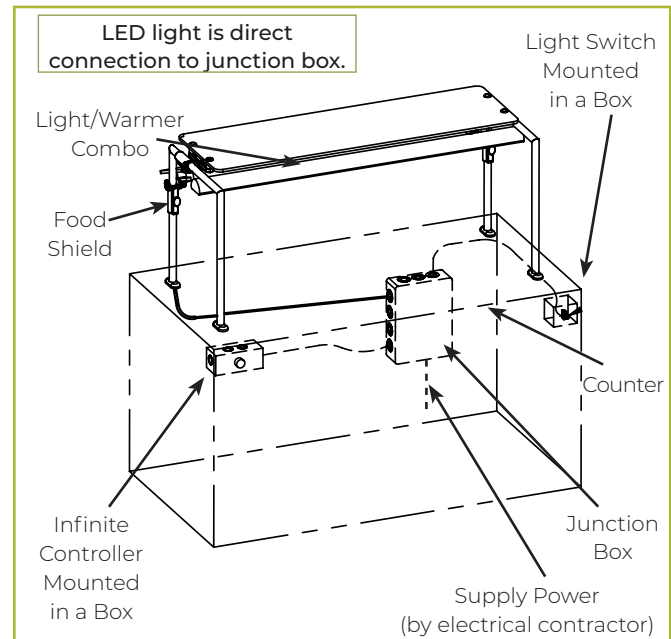
**Total wattage/ampere listed is divided between two circuits.

WIRING INSTALLATIONS

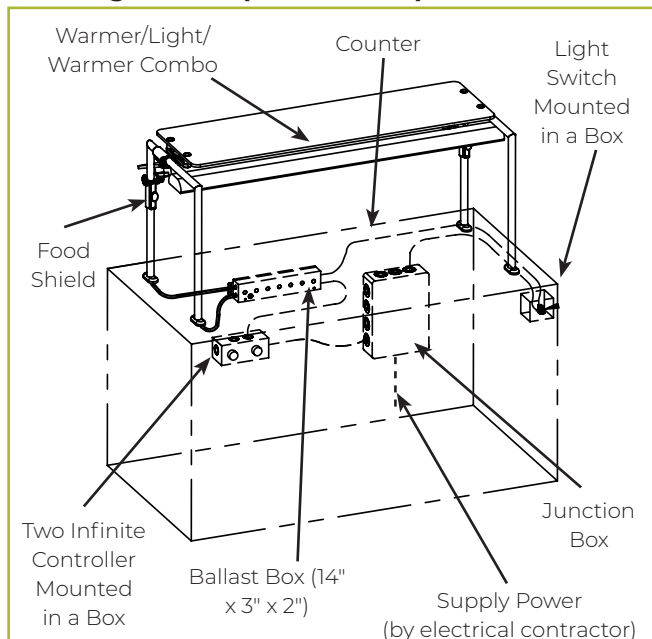
Stealth® Fluorescent Light & Warmer Combo



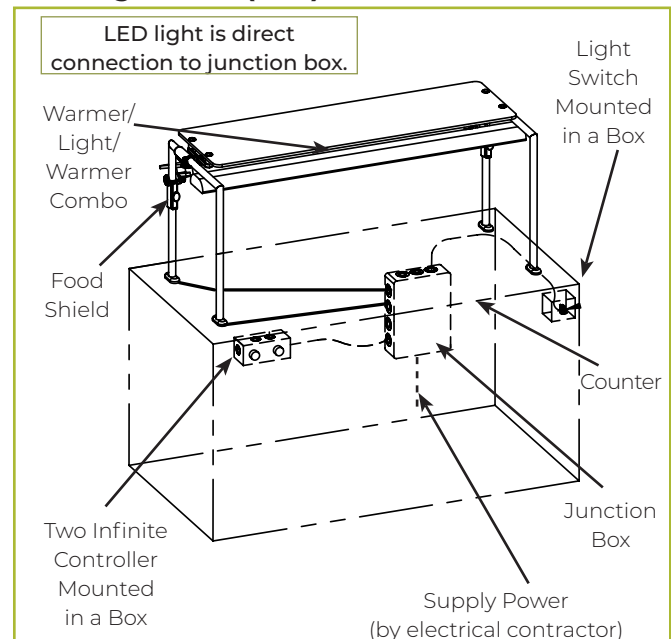
Stealth® LED Light & Warmer Combo



Stealth® Warmer Combo Heat-Light-Heat (Fluorescent)



Stealth® Warmer Combo Heat-Light-Heat (LED)

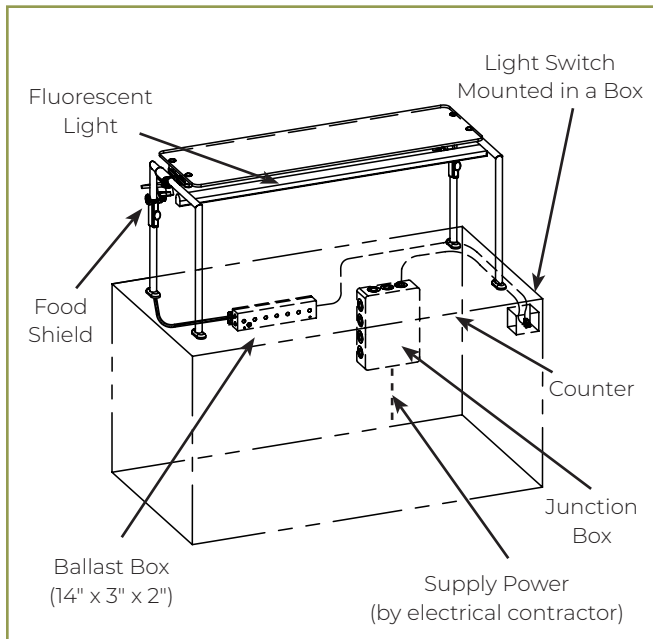


Installation Information

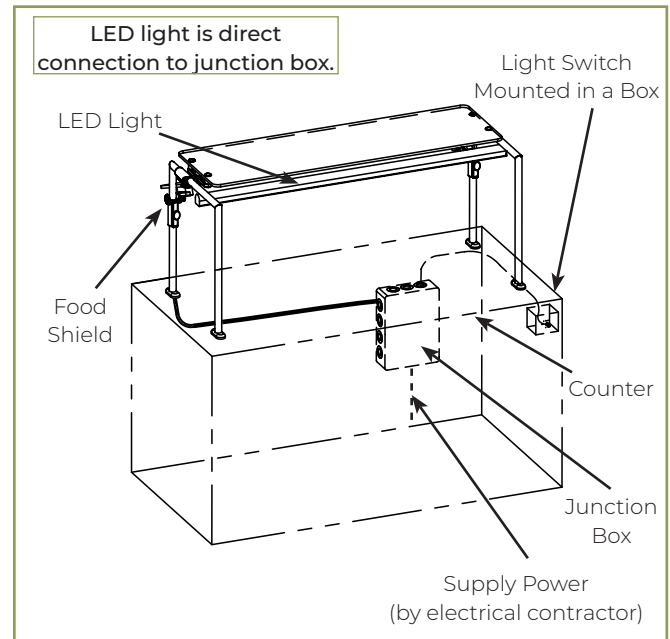
- All wiring should be performed by a certified technician.
- Wires are routed through wire chase/support legs per approved shop drawings.
- Mount the ballast box and infinite controllers near the wire chase/support leg.
- The ballast box, infinite controllers, light switch, and six feet of conduit/wiring exiting support legs are provided with all BSI food shields.

WIRING INSTALLATIONS

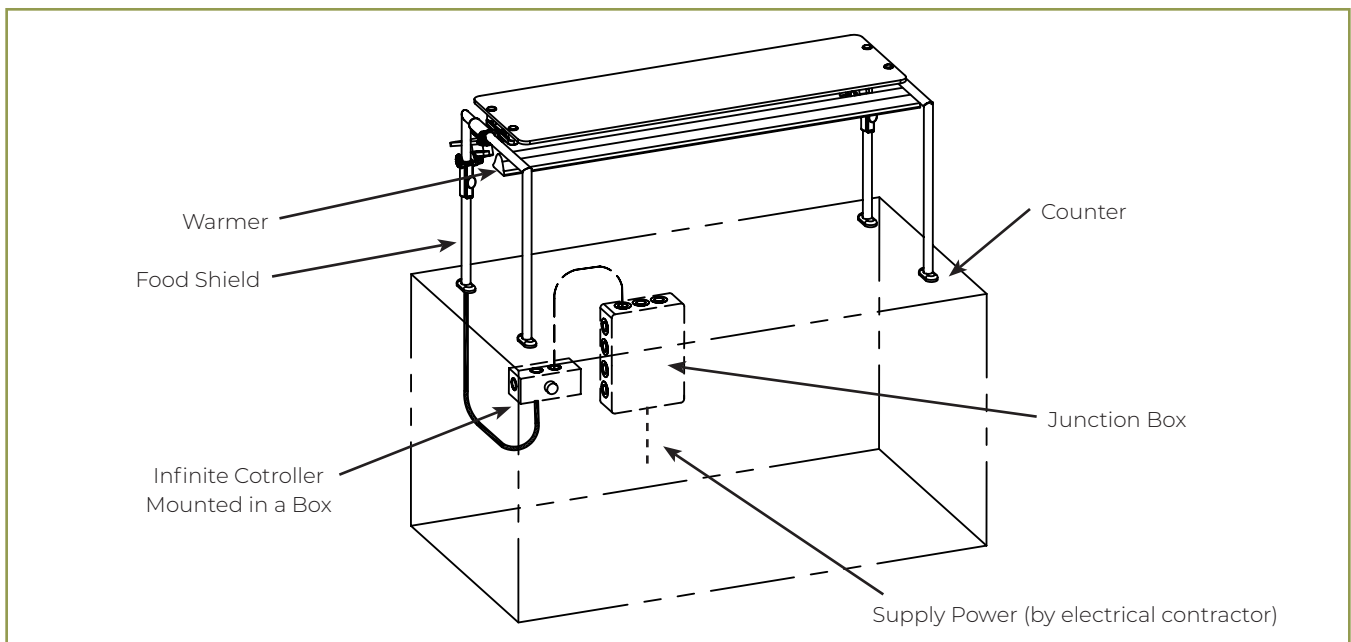
Fluorescent Lights



LED Lights



Stealth® Warmer

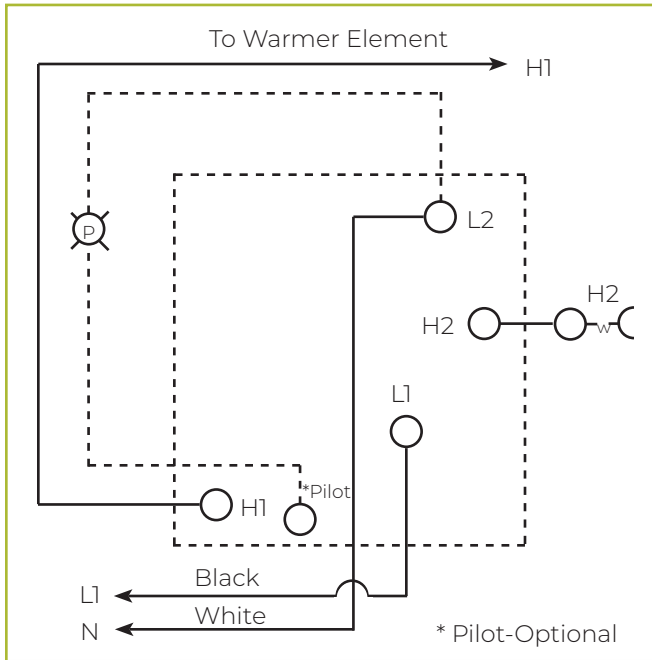


Installation Information

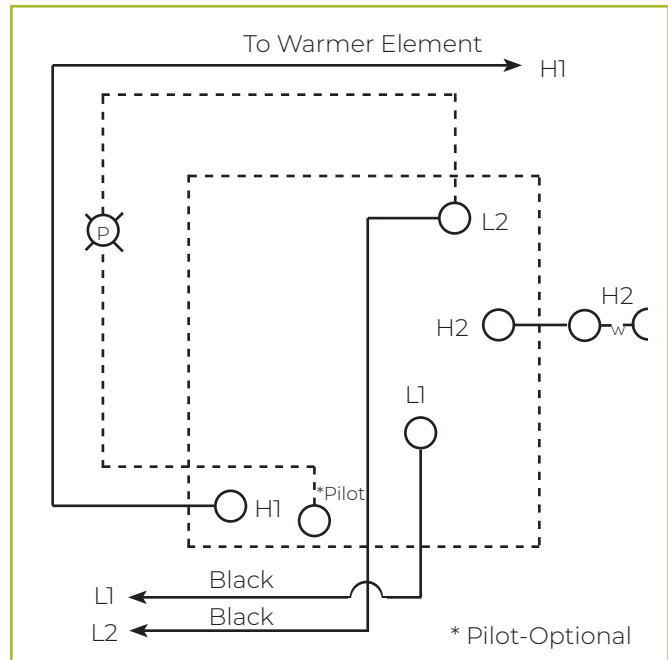
- All wiring should be performed by a certified technician.
- Wires are routed through wire chase/support legs per approved shop drawings.
- Mount the ballast box and infinite controllers near the wire chase/support leg.
- The ballast box, infinite controllers, light switch, and six feet of conduit/wiring exiting support legs are provided with all models of BSI food shields.

WIRING DIAGRAMS

Remote Infinite Control for Stealth® Warmer/Combo Units



Infinite switch (120V) - Part #581

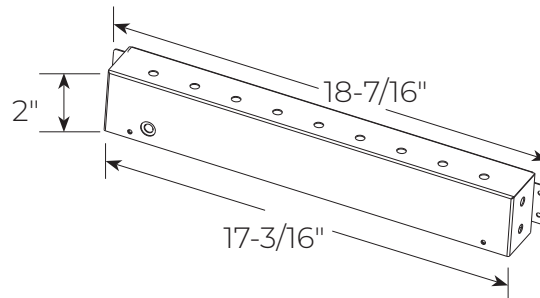


Infinite switch (208V/240V) - Part #582

FLUORESCENT LIGHT BALLASTS

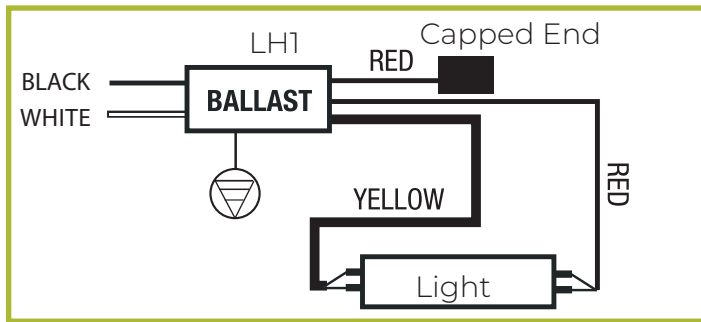


As a standard, all BSI fluorescent lights are supplied with a remote ballast (internal ballasts are available). This UL Listed ballast is supplied in a UL approved box that needs to be located and installed below the counter.



Ballast Box for
LH1 - Part #509-1 & LH2 - Part #509-2
LH4 - Part #509-4

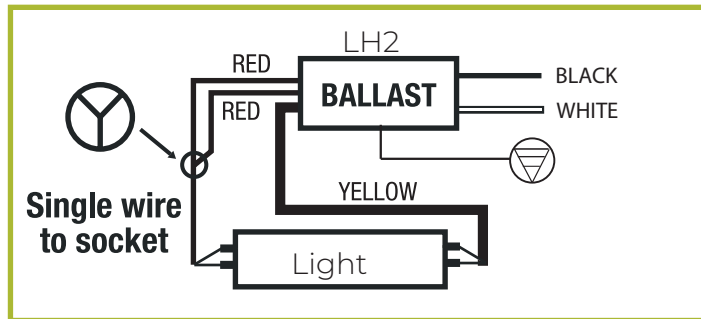
DIAGRAMS FOR FLUORESCENT LIGHTS AND LIGHT/WARMER COMBO UNITS



LONGHORSE 1 - LINEAR

On Stealth® Heat/Light Combo

Description	Lamp Type
16"-18" T5 Fluorescent Fixture	F6 / T5
19"-27" T5 Fluorescent Fixture	F8 / T5
28"-39" T5 Fluorescent Fixture	F14/T5
40"-51" T5 Fluorescent Fixture	F21/T5
52"-62" T5 Fluorescent Fixture	F28/T5



LONGHORSE 2 - LINEAR

On Stealth® Heat/Light Combo

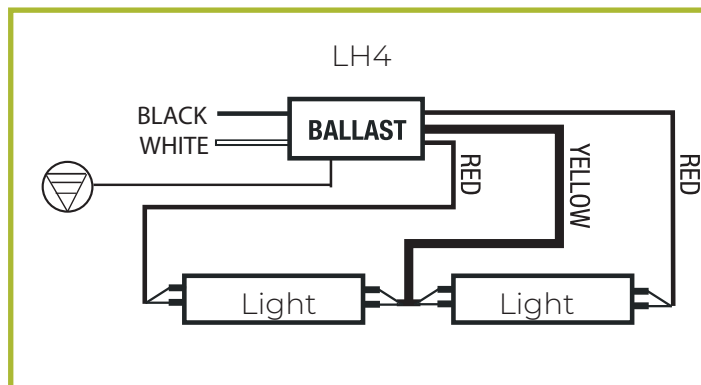
Description	Lamp Type
65"-74" T5 Fluorescent Fixture	F35 / T5

LONGHORSE 2 - LINEAR

On Stealth® Heat/Light Combo

Description	Lamp Type
75"-86" T5 Fluorescent Fixture	(2) F21 / T5

This is the LH2 Ballast but is wired like an LH4.



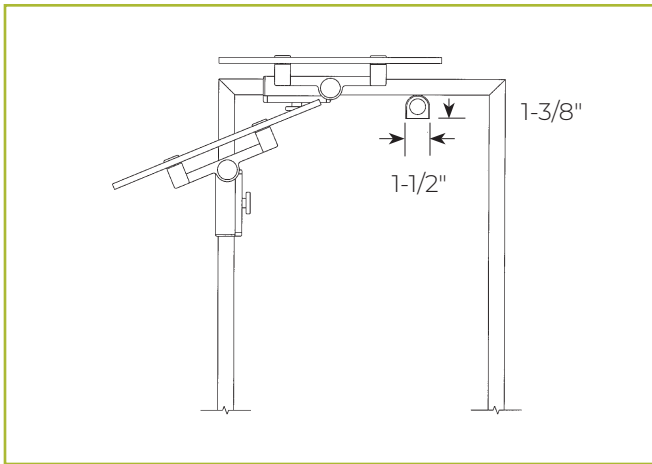
LONGHORSE 4 - LINEAR

On Stealth® Heat/Light Combo

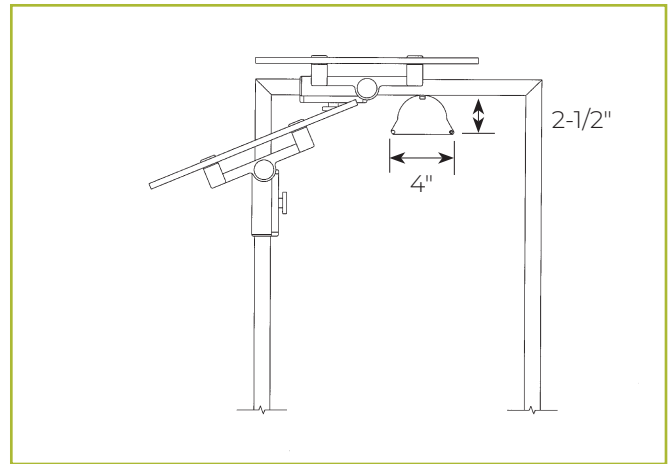
Description	Lamp Type
87"-98" T5 Fluorescent Fixture	(1) F21 & (1) F28 / T5
99"-110" T5 Fluorescent Fixture	(2) F28 / T5
111"-121" T5 Fluorescent Fixture	(1) F28 & (1) F35 / T5
122"-144" T5 Fluorescent Fixture	(2) F35 / T5

SAMPLE ZGUARD® LIGHT/WARMER LAYOUTS

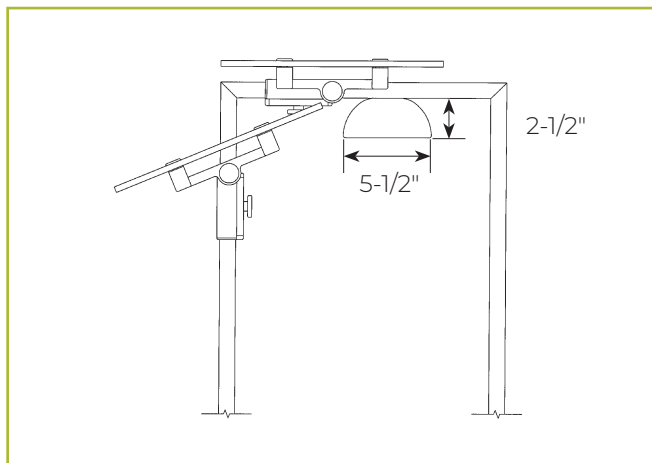
Based on a ZG9930 Configuration



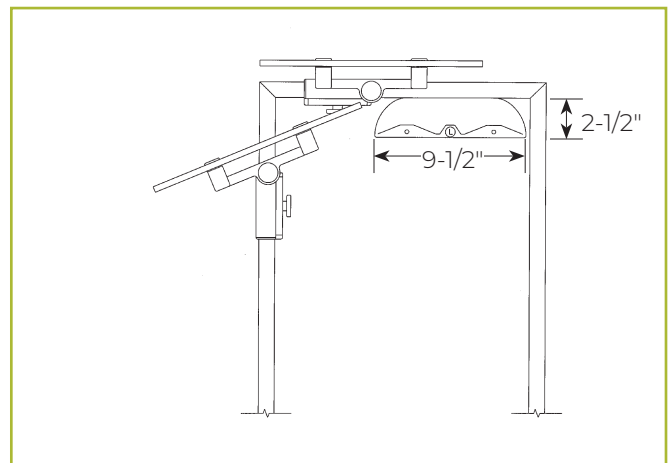
ZG9930 with Fluorescent Slimline Light



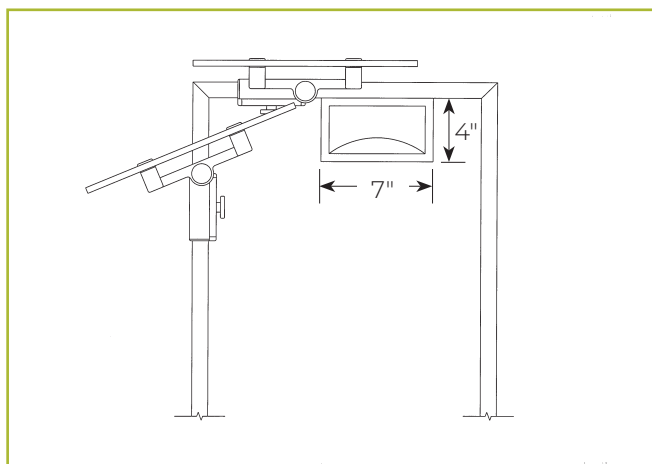
ZG9930 with Stealth® Warmer



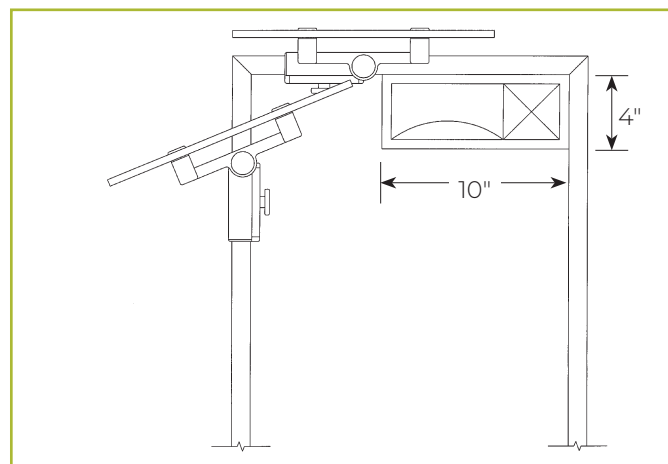
ZG9930 with Light/Warmer Combo



ZG9930 with Warmer/Light/Warmer Combo



ZG9930 with Hatco® Heat Lamp



ZG9930 with Hatco® Heat Lamp and Light